

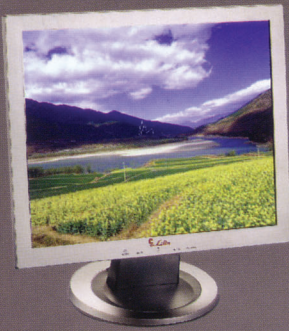
*S. Lilin*®

LI-LIN PROFESSIONAL TFT-LCD MONITOR

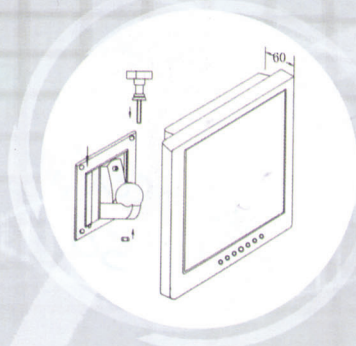
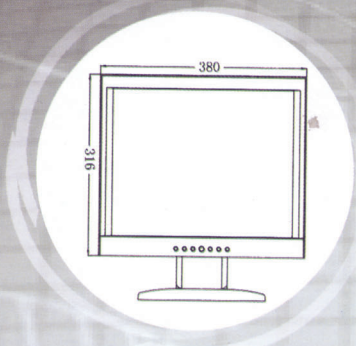
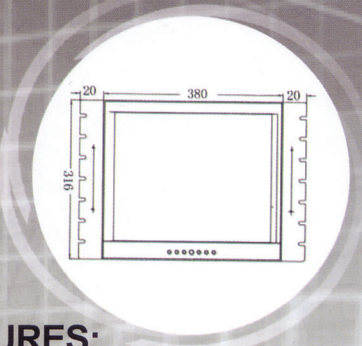


PROFESSIONAL  
TFT-LCD  
MONITOR





# LI-LIN PROFESSIONAL TFT-LCD MONITOR



**FEATURES:**

- 1280 × 1024 native resolution
- Multi video system
- Dual hinge design suitable for wall mount
- Super slim & narrow design
- Response time under 12ms
- Video , audio ,VGA and S terminal input
- 15" , 17" , 19" for option

**SPECIFICATIONS FOR 17" PROFESSIONAL TFT-LCD MONITOR:**

Active Native Resolution	1280 × 1024mm
Contrast Ratio (Typital)	500: 1
Luminance	350
Response Time	12 ms
Display Area	337.92 (H) × 270.336 (V) mm
Fine Pitch	0.264 (V) × 0.264 (V) mm
Panel Diagonal Size	17"
Visual Angle (H / V)	170° / 170°
Power consumption	Max.48W
Output Color	16.1 million
Menu Language	Chinese / English
Button	Auto、 Menu、 Power、 Left、 Right
Power Supply	12V
Input / Output Terminal	Composite Video、 S-Video、 VGA Input
Dimension	380(W) × 316(H) × 60(D)mm